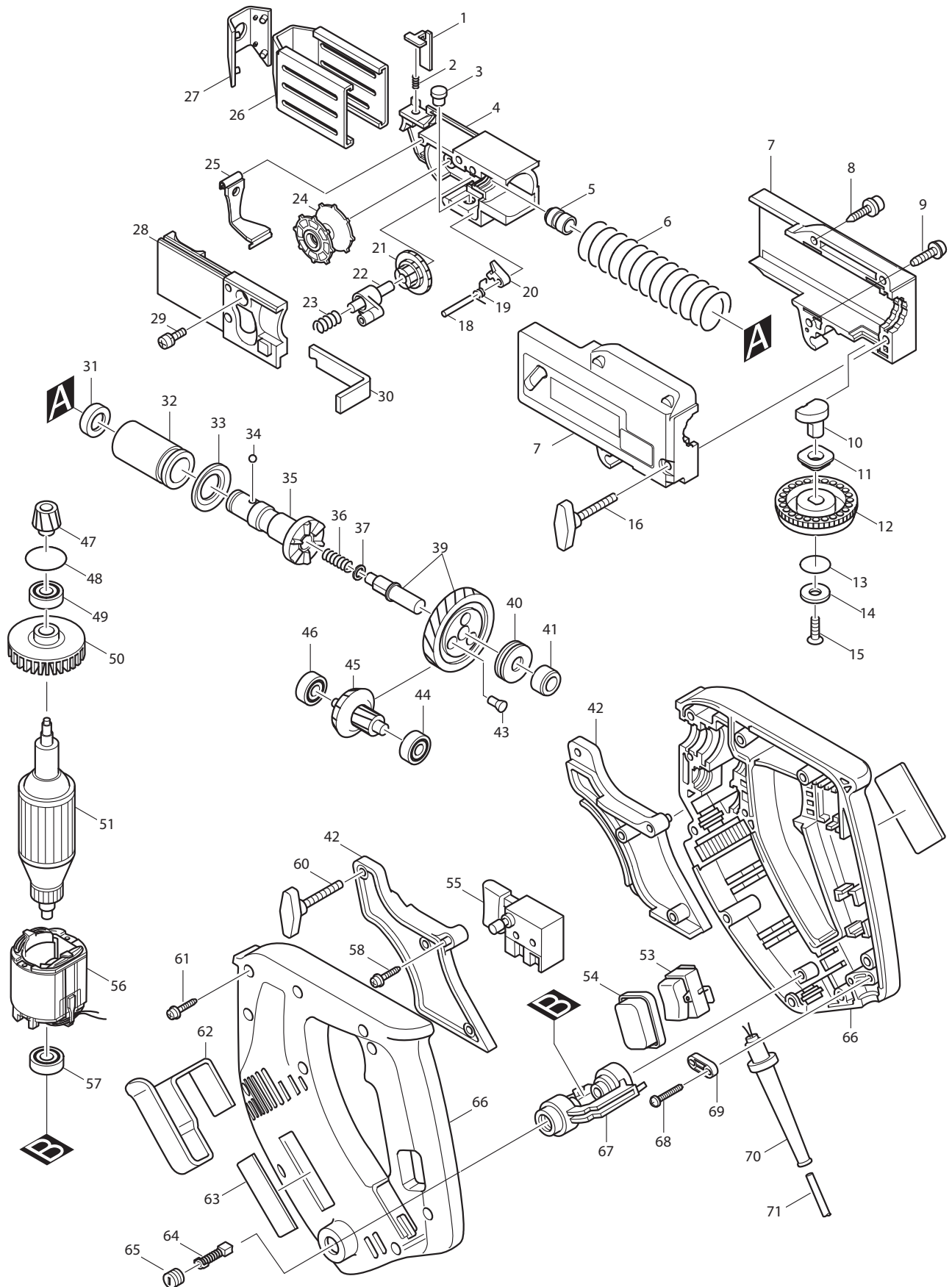




11-2009
6834

AUTOFEED SCREWDRIVER



Item No.	Type	Sub	Part No.	Description	Qty	Unit
1			344625-3	LEVER	1	PC.
2			233211-4	COMPRESSION SPRING 2	1	PC.
3			256451-7	PIN 6	1	PC.
4			416500-4	FEEDER BOX	1	PC.
5			257685-5	SLEEVE 5	1	PC.
6			233210-6	COMPRESSION SPRING 21	1	PC.
7			182998-4	CASING SET	1	SET
		INC.	816282-2	INDICATION LABEL	1	PC.
		INC.	818844-2	INDICATION LABEL	1	PC.
		INC.	818554-1	INDICATION LABEL	1	PC.
8			266045-0	TAPPING SCREW 4X20	2	PC.
9			266020-6	TAPPING SCREW 4X12	1	PC.
10			310091-6	SHIFTER PIN	1	PC.
11			257686-3	SLEEVE 8	1	PC.
12			417056-0	DIAL 42	1	PC.
13			213105-9	O RING 11	1	PC.
14			267201-5	FLAT WASHER 6	1	PC.
15			912117-6	COUNTERSUNK HEAD SCREW M4X12	1	PC.
16	1		265732-8	SCREW M4X28	1	PC.
	2		265778-4	THUMB SCREW M4X28	1	PC.
	3		265779-2	THUMB SCREW M4X28	1	PC.
18			256158-5A	PIN	1	PC.
19			231636-6	TORSION SPRING 4	1	PC.
20			310062-3	STOPPER	1	PC.
21			226344-2	SPUR GEAR 16	1	PC.
22			152580-3	RATCHET ARM COMPLETE	1	PC.
23			233212-2	COMPRESSION SPRING 6	1	PC.
24			416518-5	WHEEL	1	PC.
25			162201-9	DUST COVER	1	PC.
26			344628-7	STOPPER BASE	1	PC.
27			421617-0	CAP	1	PC.
28			152581-1	BOX COVER COMPLETE	1	PC.
29			911133-5	PAN HEAD SCREW M4X18	1	PC.
30			344627-9	PLATE	1	PC.
31			421467-3	DUST COVER	1	PC.
32			214162-0	PLANE BEARING 14	1	PC.
33			421618-8	RING 15	1	PC.
34			216001-0	STEEL BALL 3.5	1	PC.
35			153735-3	SPINDLE COMPLETE	1	PC.
36			233393-2	COMPRESSION SPRING 8	1	PC.
37			267277-2	FLAT WASHER 8	2	PC.
39			153739-5	GEAR COMPLETE	1	PC.
40			212042-4	THRUST NEEDLE BEARING 821	1	PC.
41			214028-4	PLANE BEARING 8	1	PC.
42			182984-5	SCREW GUIDE SET	1	PC.
43			256467-2	SHOULDER PIN 4	3	PC.
44			211014-6	BALL BEARING 606	1	PC.
45			226823-0	GEAR COMPLETE 9-22	1	PC.
46			211014-6	BALL BEARING 606	1	PC.
47			226704-8	SPIRAL BEVEL GEAR 15	1	PC.
48			213380-7	O RING 24	1	PC.
49			211061-7	BALL BEARING 6000LLB	1	PC.
50			241869-5	FAN 55	1	PC.
51			517061-8	ARMATURE ASS'Y 115V	1	PC.
		INC.		Item No. 49,50,57		
53			651569-3	SWITCH VLX13	1	PC.
54			421621-9	DUST COVER	1	PC.
55			651283-1	SWITCH SGEL208C	1	PC.
56			633256-6	FIELD 115V	1	PC.
57			210025-8	BALL BEARING 627LLB	1	PC.
58			266045-0	TAPPING SCREW 4X20	2	PC.
60	1		265732-8	SCREW M4X28	1	PC.

Item No.	Type	Sub	Part No.	Description	Qty	Unit
			265778-4	THUMB SCREW M4X28	1	PC.
			265779-2	THUMB SCREW M4X28	1	PC.
61			266045-0	TAPPING SCREW 4X20	10	PC.
62			344056-6	HOOK	1	PC.
63			819063-3	MAKITA LABEL	1	PC.
64	1		191938-1	CARBON BRUSH CB-408 2PC/SET (W/O ORIGIN)	1	SET
	2		195008-8	CARBON BRUSH CB-408 2PC/SET (W/ ORIGIN)	1	SET
65			643550-8	BRUSH HOLDER CAP 5-8	2	PC.
66			182601-7	HOUSING SET	1	SET
		INC.		Item No. 63		
67			152433-6	HOLDER ARM CPMPLETE	1	PC.
		INC.	643932-4	BRUSH HOLDER 6X9	2	PC.
68			265995-6	TAPPING SCREW 4X18	2	PC.
69			687063-9	STRAIN RELIEF	1	PC.
70			682502-4	CORD GUARD 8-85	1	PC.
71			664064-4	CORD W/PLUG 2P-18-2.5M, SJ	1	PC.
ACCESSORIES				- See catalogue or visit www.makita.ca for optional accessory -		
A01			784238-2	PHILLIPS BIT 2-146L	3	PC.
	Opt.		784605-A	SQUARE BIT 2-146L	1	PC.
A02			824421-0	PLASTIC CARRYING CASE	1	PC.
		INC.	182935-8	SLIDE LATCH (R.L) SET	1	SET
A03			192501-3	EXTENSION HANDLE	1	PC.
				(For Component - See Parts Breakdown 192501-3)		